

RevNo	Revision note	Date	Signature

NOTE

1. RATING : DC 12V 50mA
2. CONTACT RESISTANCE : 100mΩMAX
3. GENERAL TOLERANCE : +/- 0.2 mm
4. MANUFACTURING SPECIFICATION
WOULD BE ACCORDANCE WITH WT0158

5. PART NO.(P/N.):

TS100VM - * * * R - R

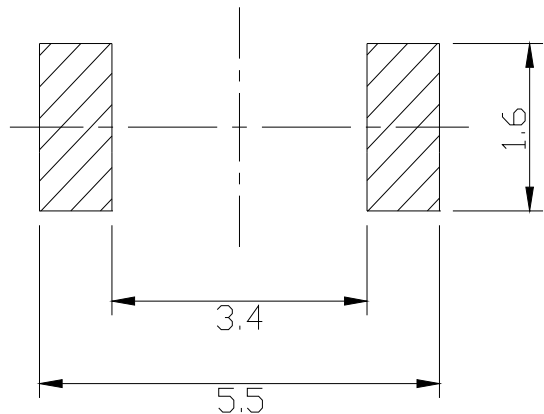
2.9X3.9
VERTICAL
F TYPE

DIMENSION "H"
020=2.0mm
025=2.5mm
030=3.0mm

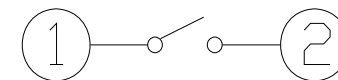
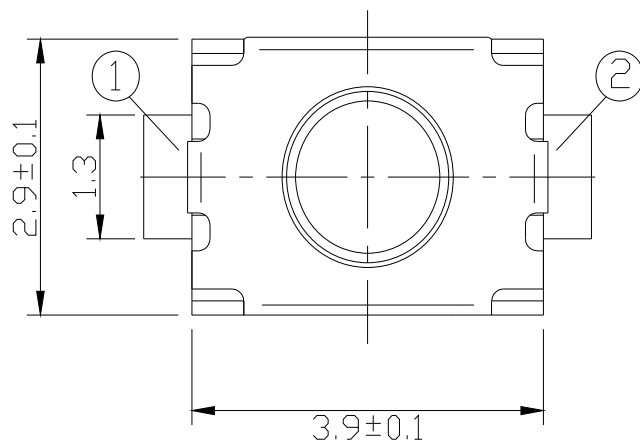
OPERATING FORCE
B=160gf
C=260gf

STEM COLOR
□=BLACK

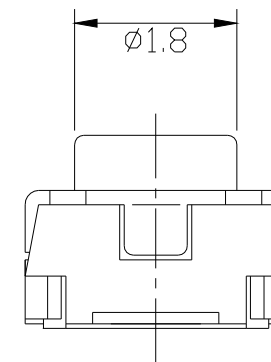
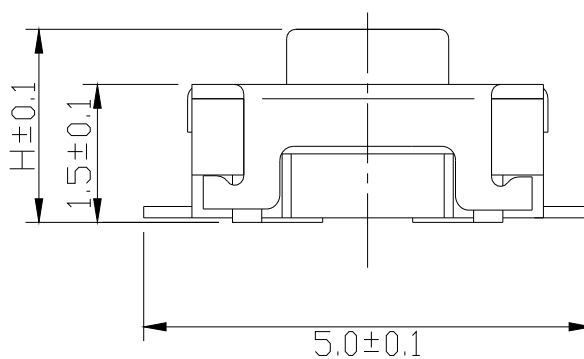
PACKING
R=REEL



P.C.B LAND DIMENSION



CIRCUIT DIAGRAM



Designed by	L.Y.D			瑞澤電子有限公司 Horustech Electronics Co., Ltd			
Checked by							
Approved by		Unit	mm	Scale	1/1	Date	2011.10.14
Item	Tactile Switch	Tool	A-Cad	Sheet	1/1	Rev.	0
Model	2.9X3.9 F Type	Drawing name		TS100VM- * * * R-R			