

LS67 Series

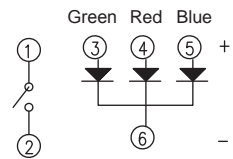
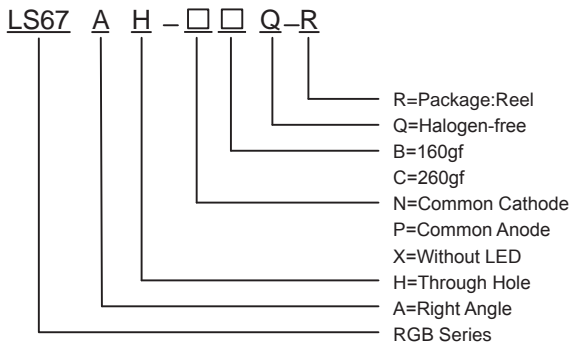
Tactile Switches(Illuminated)



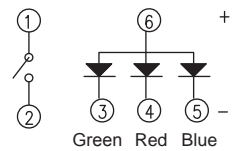
SPECIFICATIONS

- CURRENT RANGE:** Switch: 50mA , 12V DC
- CONTACT RESISTANCE:** 100mΩ max. (initial)
- INSULATION RESISTANCE:** 100MΩ min.
- STROKE:** 0.20 ± 0.10 mm
- OPERATION FORCE:** 160±50g / 260±50g
- OPERATING TEMPERATURE RANGE:** -25°C ~ +70°C.

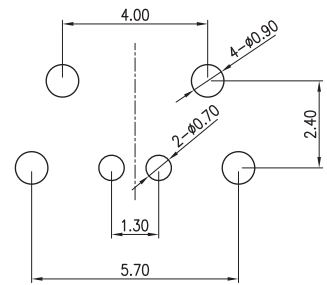
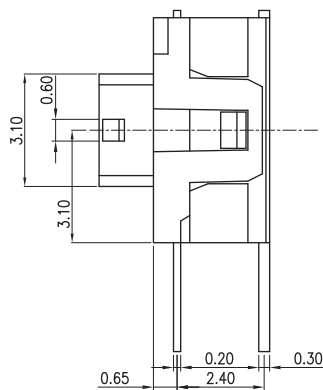
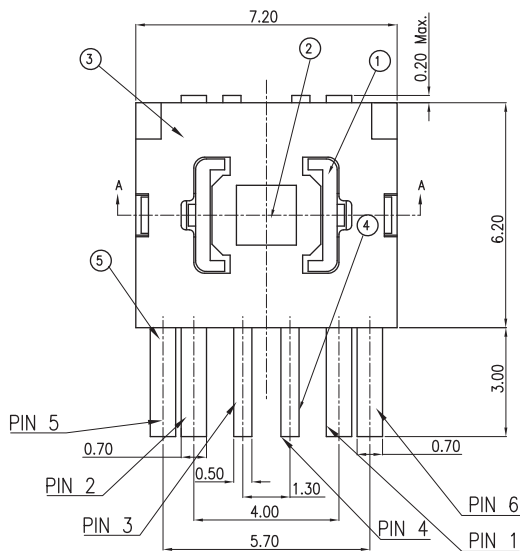
HOW TO ORDER



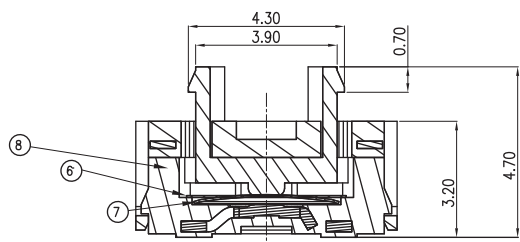
CIRCUIT-COMMON CATHODE



CIRCUIT-COMMON ANODE



PCB LAYOUT



SECTION-A-A


8	BASE	NYLON	COLOR:BLACK
7	CONTACT	STAINLESS	SILVER PLATED OVER NICKEL UNDER PLATING
6	TAPE	POLYIMIDE	
5	TERMINAL	BRASS	SILVER PLATED OVER NICKEL UNDER PLATING
4	LED TERMINAL	PHOSPHOR BRONZE	SILVER PLATED OVER NICKEL UNDER PLATING
3	COVER	NYLON	COLOR:BLACK
2	LED		SEE LED MATERIALS TABLE
1	STEM	NYLON	COLOR:BLACK
ITEM	DESCRIPTION	MATERIAL	FINISHED,REMARKED

LS67
Tact Switches

LS67 Series

Tactile Switches(Illuminated)

HOW TO ORDER



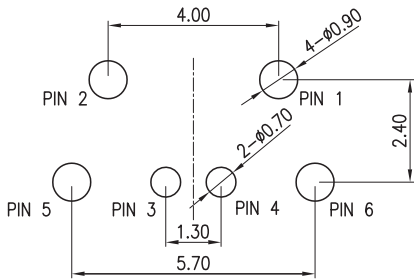
LS67 A H - R-A-R2

- RGB Series
- A=Right Angle
- K=Through hole(Kink)
- N=Common Cathode
- P=Common Anode
- X=Without LED
- B=160gf
- C=260gf
- R=RoHS
- A=Package:Tray

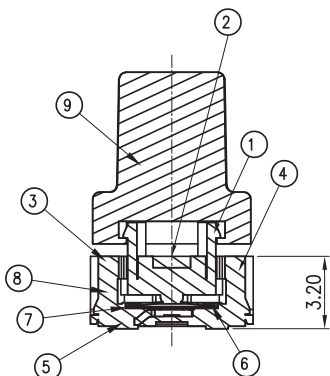
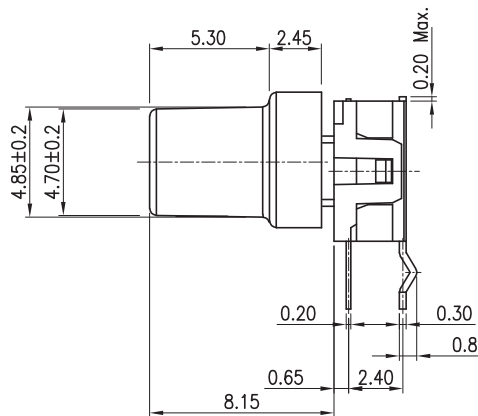
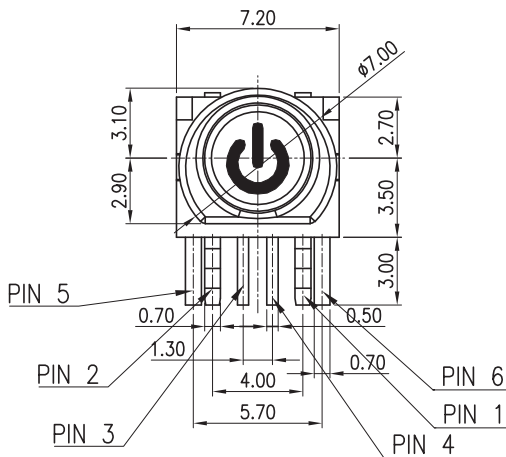
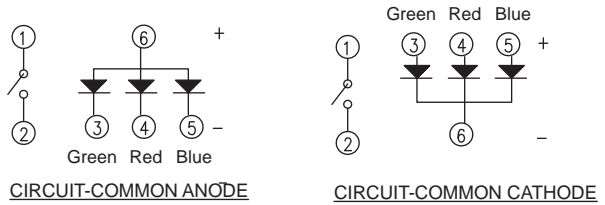
CAP Mark(See Mark Table)
A0=CAP no Mark

	0	1	2	3	4	5	6	7	8	9
A		⏻	⏪	⏩	⏹	⏺	⏻	⏪	⏩	⏹
B		⏻	⏪	⏩	⏹	⏺	⏻	⏪	⏩	⏹
C	START	RESET	Reset	⏻	⏪	Turbo	ID			
D	⏶	⏷	⏸	⏵	+	-	△	●		

CAP Color
S=Silver
K=Black
T=Translucent
P=Transparent
R2=8.15mm



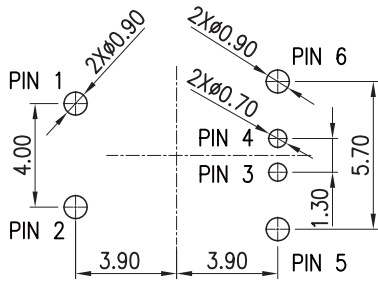
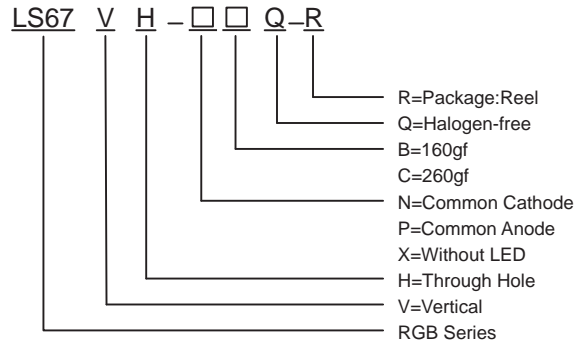
PCB LAYOUT (TOP VIEW)



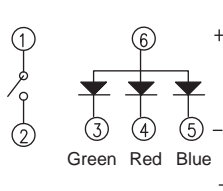
9	CAP	HIGH-TEMP THERMOPLASTIC	
8	BASE	NYLON	COLOR:BLACK
7	CONTACT	STAINLESS	SILVER PLATED OVER NICKEL UNDER PLATING
6	TAPE	POLYIMIDE	
5	TERMINAL	BRASS	SILVER PLATED OVER NICKEL UNDER PLATING
4	LED TERMINAL	PHOSPHOR BRONZE	SILVER PLATED OVER NICKEL UNDER PLATING
3	COVER	NYLON	COLOR:BLACK
2	LED		SEE LED MATERIALS TABLE
1	STEM	NYLON	COLOR:BLACK
ITEM	DESCRIPTION	MATERIAL	FINISHED,REMARKED

LS67
Tact Switches

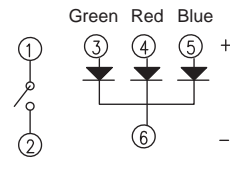
HOW TO ORDER



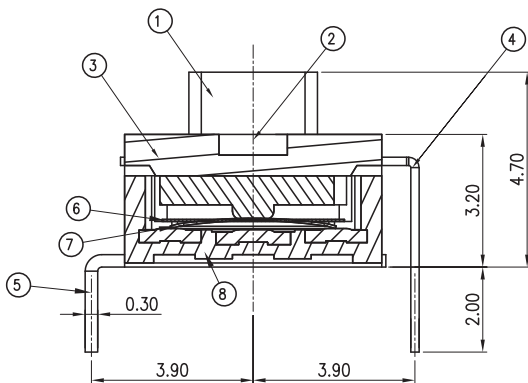
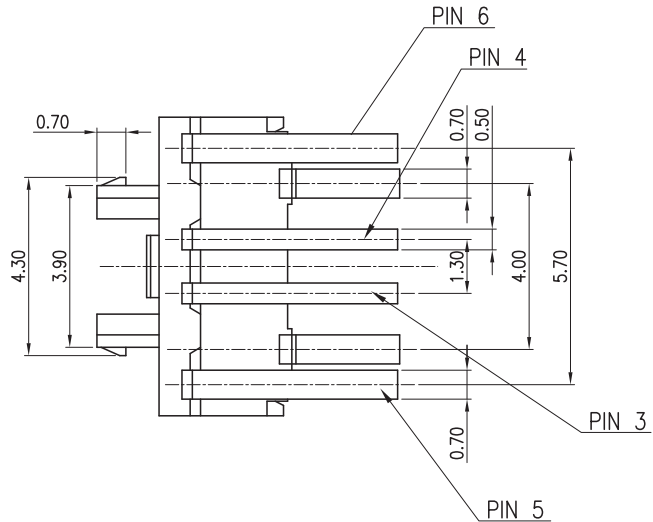
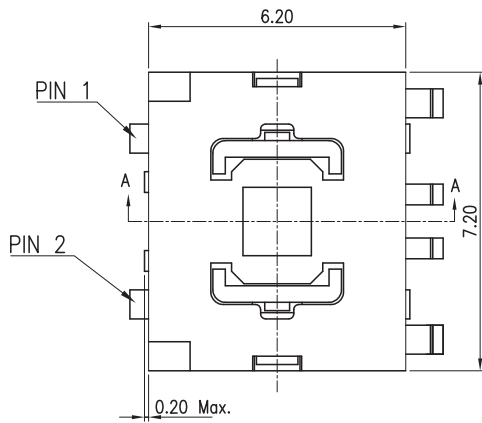
SCALE 5:1
PCB LAYOUT
(TOP VIEW)



CIRCUIT-COMMON ANODE



CIRCUIT-COMMON CATHODE



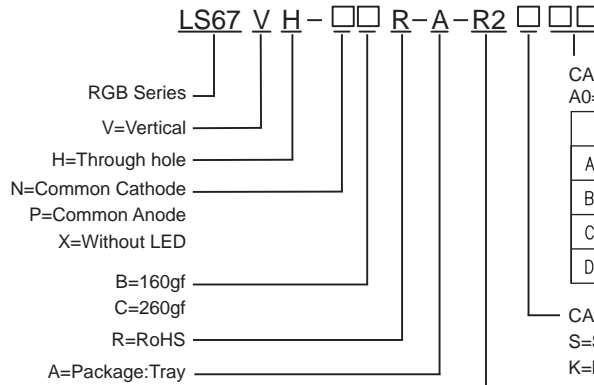
SECTION A-A

8	BASE	NYLON	COLOR:BLACK
7	CONTACT	STAINLESS	SILVER PLATED OVER NICKEL UNDER PLATING
6	TAPE	POLYIMIDE	
5	TERMINAL	BRASS	SILVER PLATED OVER NICKEL UNDER PLATING
4	LED TERMINAL	PHOSPHOR BRONZE	SILVER PLATED OVER NICKEL UNDER PLATING
3	COVER	NYLON	COLOR:BLACK
2	LED		SEE LED MATERIALS TABLE
1	STEM	NYLON	COLOR:BLACK
ITEM	DESCRIPTION	MATERIAL	FINISHED,REMARKED

LS67 Series

Tactile Switches(Illuminated)

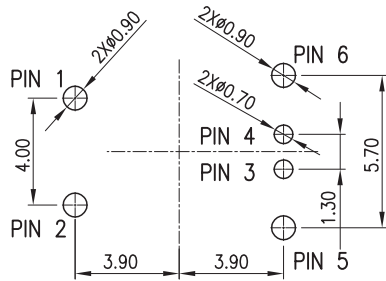
HOW TO ORDER



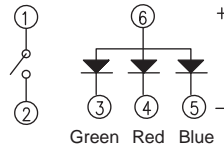
CAP Mark(See Mark Table)
A0=CAP no Mark

	0	1	2	3	4	5	6	7	8	9
A	⏻	⏪	⏩	⏹	⏺	⏻	⏪	⏩	⏹	⏺
B	⏻	⏪	⏩	⏹	⏺	⏻	⏪	⏩	⏹	⏺
C	START	RESET	Reset	⏻	⏪	Turbo	ID			
D	⏻	⏪	⏩	⏹	⏺	+	-	△	●	

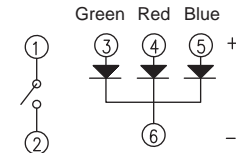
CAP Color
S=Silver
K=Black
T=Translucent
P=Transparent
R2=8.15mm



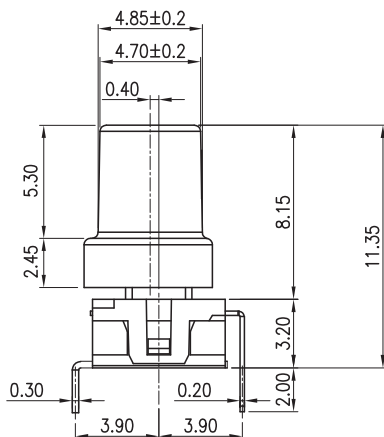
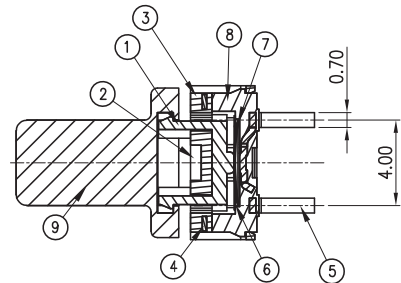
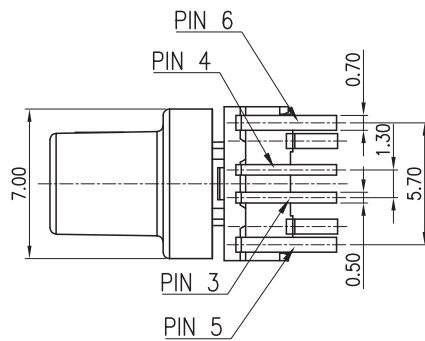
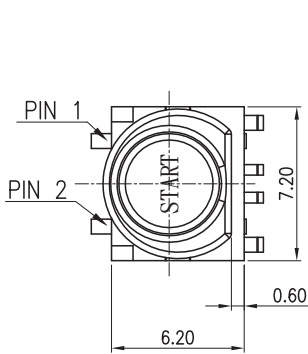
SCALE 5:1
PCB LAYOUT
(TOP VIEW)



CIRCUIT-COMMON ANODE



CIRCUIT-COMMON CATHODE



ITEM	DESCRIPTION	MATERIAL	FINISHED,REMARKED
9	CAP	HIGH-TEMP THERMOPLASTIC	
8	BASE	NYLON	COLOR:BLACK
7	CONTACT	STAINLESS	SILVER PLATED OVER NICKEL UNDER PLATING
6	TAPE	POLYIMIDE	
5	TERMINAL	BRASS	SILVER PLATED OVER NICKEL UNDER PLATING
4	LED TERMINAL	PHOSPHOR BRONZE	SILVER PLATED OVER NICKEL UNDER PLATING
3	COVER	NYLON	COLOR:BLACK
2	LED		SEE LED MATERIALS TABLE
1	STEM	NYLON	COLOR:BLACK
ITEM	DESCRIPTION	MATERIAL	FINISHED,REMARKED