

Body height 1.6mm, Compact-sized Surface-mounting Type Rotary-Switches SSS-60MD Series

Features

- ◁With 6.8x6.8mm dimension and 1.6mm height, these surface-mounting type switches are ideal for high-density mounting.
- ◁A small Rotary-Switch for setting the program codes of various digital circuits.
- ◁Permits reflow soldering.
- ◁Switches are packaged in 16mm wide embossed tapping.
- ◁ With ground terminal for electrostatic discharge.



Actual size



Zoom

Applications

- ◁Digital still camera and digital video camera
- ◁Applicable as a timer switch for VCRs, audio equipment household electric appliances.

Products Line

No	Products No.	Standard codes	Positions	Step angle	Qty / reel(pcs.)
1	SSS-60MD-8A-1-T20	No.1	8	45 degree	2,000
2	SSS-60MD-10A-1-T20	No.2	10	36 degree	
3	SSS-60MD-12A-1-T20	No.3	12	30 degree	

Concerning the Standard codes of the above products, please see the chart in the next page.

Typical Specifications

Item	Specifications
Ratings (Resistive load)	50mA 12V DC
Contact resistance	500 milliohm max. (Initial)
Insulation resistance	100 megohm min. 500V DC
Withstanding voltage	100V AC for 1minute
Torque	0.7 N-cm
Operating life	7,000 cycles
Operating temperature range	-20 to +70 degree Celsius
Storage temperature range	-30 to +80 degree Celsius (except carrier tape)

□ Standard codes

<>No.1

Terminal No.	Position							
	1	2	3	4	5	6	7	8
7,17-1	O							
7,17-3,4		O						
7,17-6			O					
7,17-8,9				O				
7,17-11					O			
7,17-13,14						O		
7,17-16							O	
7,17-18,19								O

The O marks show the ON position.

<>No.2

Terminal No.	Position									
	1	2	3	4	5	6	7	8	9	10
7,17 - 1,3	O									
7,17 - 4		O								
7,17 - 6			O							
7,17 - 8				O						
7,17 - 9					O					
7,17 - 11,13						O				
7,17 - 14							O			
7,17 - 16								O		
7,17 - 18									O	
7,17 - 19										O

The O marks show the ON position.

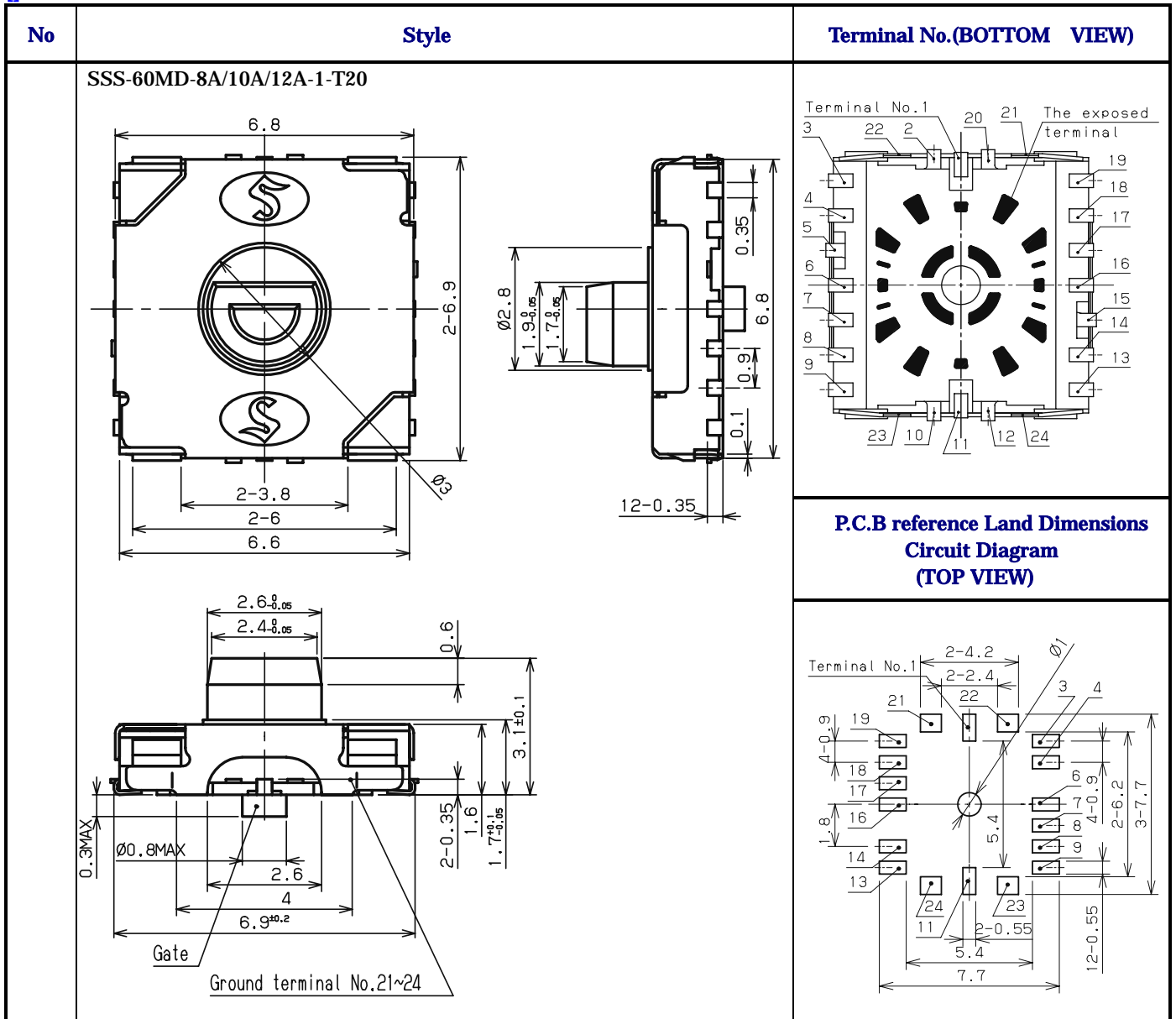
<>No.3

Terminal No.	Position											
	1	2	3	4	5	6	7	8	9	10	11	12
7,17 - 1	O											
7,17 - 3		O										
7,17 - 4			O									
7,17 - 6				O								
7,17 - 8					O							
7,17 - 9						O						
7,17 - 11							O					
7,17 - 13								O				
7,17 - 14									O			
7,17 - 16										O		
7,17 - 18											O	
7,17 - 19												O

The O marks show the ON position.

Dimensions

Unit : mm



Notes

1. The appearance and specifications of the product may be modified to improve its performance without prior notice.
2. This catalog shows only outline specifications. When using the product, please obtain formal specifications.
3. Please see appendix [Cautions in Using Switches].
4. 2000pcs/one reel is the minimum packing unit. It is requested that the quantity of order shall be an integer multiple of the minimum packing unit.
5. This push switch is not washable.
6. Care shall be taken so that the flux shall not attach at terminal portion and soldering flux shall not penetrate into the clearance at the root of the knob.
7. Please set the reflow soldering condition confirming under the actual conditions of mass-production.
8. Characteristics of switch may change due to the warping of the circuit writing board. Consideration should be given to the pattern design and layout.
9. In manual soldering, consider that the abnormal pressure of the soldering iron shall not be applied to the tip of the terminal as well do not apply any pressure for more than 1 minute after soldering.
10. Consideration shall be taken to the chattering and bouncing in circuit design and soft setting.
11. The operating characteristic may change if force is exerted to the body of the switch.
12. Please confirm the performance on actual operation by simulation with actual environments for high reliability.