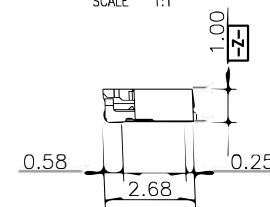
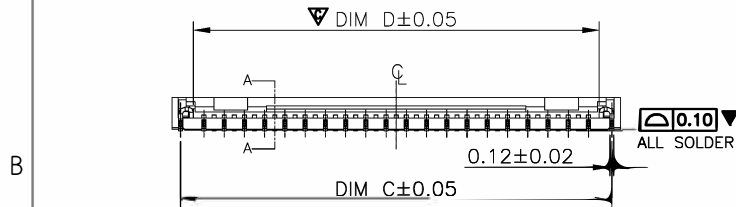
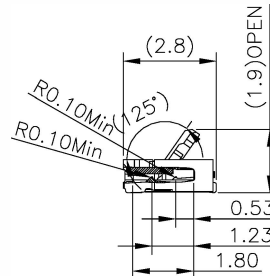
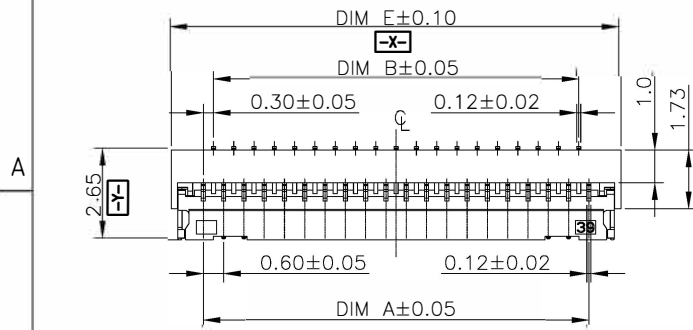


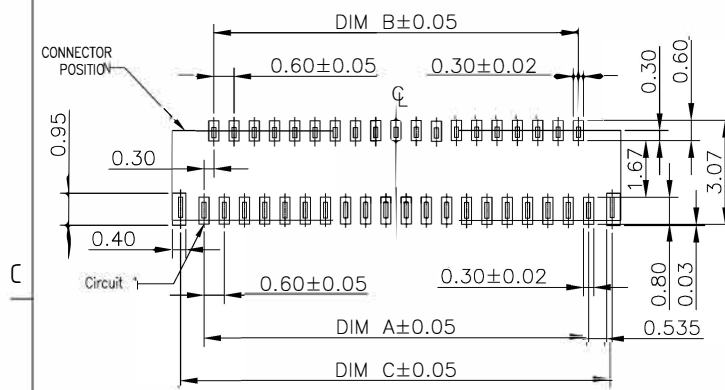
halogen free

REV.	ECR/ECN No.	DESCRIPTION	DRAWN/DATE	CHECKED/DATE	APPROVED/DATE
A	/	NEW REVISION	May 2022-08-31	SH.Chen 2022-08-31	Rain.Han 2022-08-31

NO.	COMPONENTS	MATERIALS	SPECIFICATION:FINISH/COLOR	QTY.
1	ACTUATOR	GLASS FILLED LCP, UL94V-0	BLACK	1
2	HOUSING	GLASS FILLED LCP, UL94V-0	NATURE	1
3	CONTACT	COPPER ALLOY,T=0.12	0.075um Au min on contact and Gold Flash on Solder AND FOOT UNDERPLATING:1.25~2.5um NICKEL MIN.	N
4	FITTING NAIL	COPPER ALLOY,T=0.12	Nickel under plating over all (1.25~2.5um Ni) Matte-Tin over all(2~3.75um Sn)	2

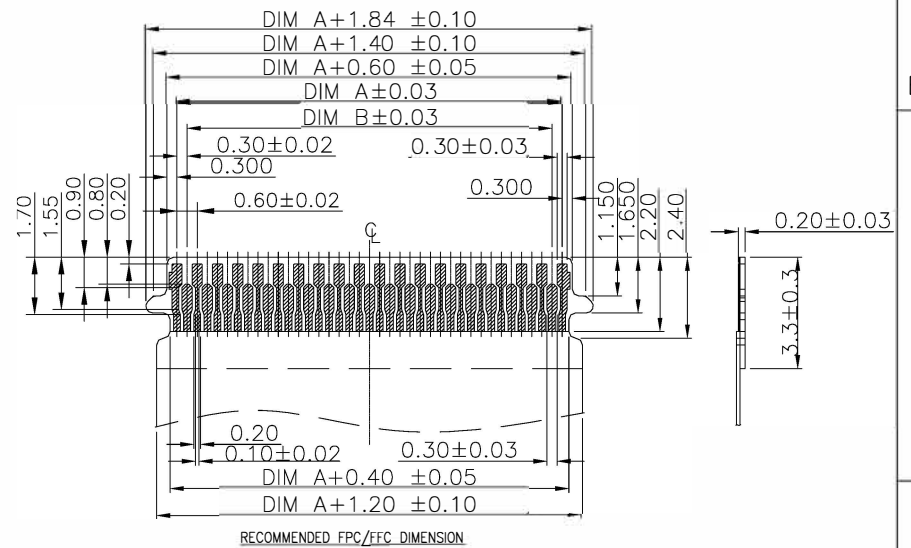


NOTE:  
 1.COMPLIANT TO RoHS 2.0  
 2."▽" Mark is Critical characteristic dimension  
 3."▼" Mark is Significant characteristic dimension  
 4.PART NO. LEGEND:  
 HRS-F13S-1A7H1-E8C\*\*  
 NO. OF POSITIONS  
 7H: PHOSPHOR BRONZE 0.075um Au



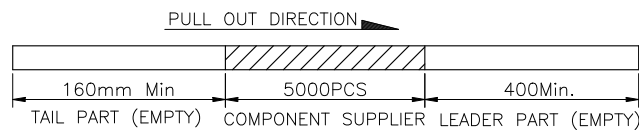
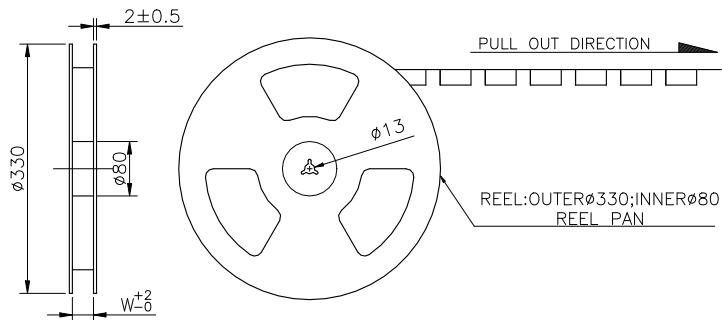
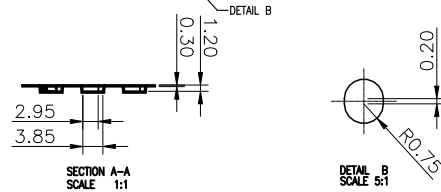
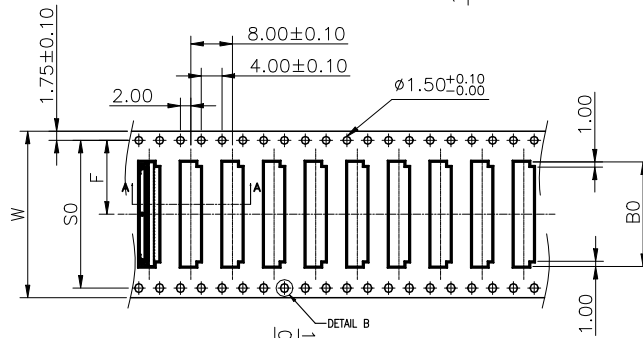
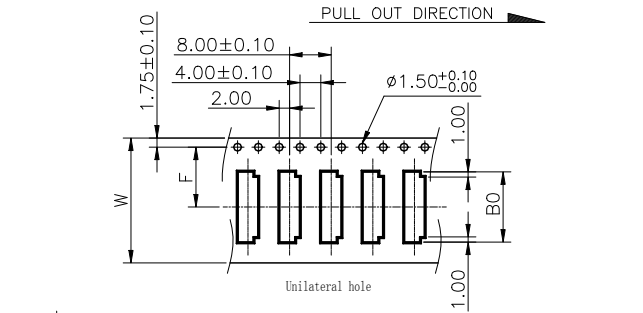
DIMENSIONS LIST:

CKTS	DIM A	DIM B	DIM C	DIM D	DIM E
11	3.00	2.40	4.39	3.63	4.90
13	3.60	3.00	4.99	4.23	5.50
15	4.20	3.60	5.59	4.83	6.10
17	4.80	4.20	6.19	5.43	6.70
19	5.40	4.80	6.79	6.03	7.30
21	6.00	5.40	7.39	6.63	7.90
23	6.60	6.00	7.99	7.23	8.50
25	7.20	6.60	8.59	7.83	9.10
27	7.80	7.20	9.19	8.43	9.70
29	8.40	7.80	9.79	9.03	10.30
31	9.00	8.40	10.39	9.63	10.90
33	9.60	9.00	10.99	10.23	11.50
35	10.20	9.60	11.59	10.83	12.10
37	10.80	10.20	12.19	11.43	12.70
39	11.40	10.80	12.79	12.03	13.30
41	12.00	11.40	13.39	12.63	13.90
43	12.60	12.00	13.99	13.23	14.50
45	13.20	12.60	14.59	13.83	15.10
47	13.80	13.20	15.19	14.43	15.70
49	14.40	13.80	15.79	15.03	16.30
51	15.00	14.40	16.39	15.63	16.90
53	15.60	15.00	16.99	16.23	17.50
55	16.20	15.60	17.59	16.83	18.10
57	16.80	16.20	18.19	17.43	18.70
59	17.40	16.80	18.79	18.03	19.30
61	18.00	17.40	19.39	18.63	19.90



UNLESS OTHERWISE SPECIFIED TOLERANCES		ANGLE OF PROJECTION		后芮昶 (上海) 电子有限公司 Horus Int. Electronics Co., LTD.	
X.	±0.30	X. °	± 5'	Customer Drw	
X.X	±0.25	X.X °	± 4'		
X.XX	±0.20	X.XX °	± 3'	TITLE: Assembly Drawing For 0.3 PITCH H1.0 FFC/FPC Front flip SMT R/A TYPE SERIES	
X.XXX	±0.15	X.XXX °	± 2'	DRAWN DATE May 2022-08-31	
LINEAR DIMS	ANGLES DIMS		DESIGN DATE May 2022-08-31		SIZE PART NUMBER: A4 HRS-F13S-1A7H1-E8C**
DWG NO.:	A-S0649		CHECKED DATE SH.Chen 2022-08-31		REV. A
MATERIAL	SEE NOTES		APPROVED DATE Rain.Han 2022-08-31		SCALE 1:1 UNIT : mm SHEET 1 OF 2
FINISHED	SEE NOTES				

**1. PACKING INTO REEL:**



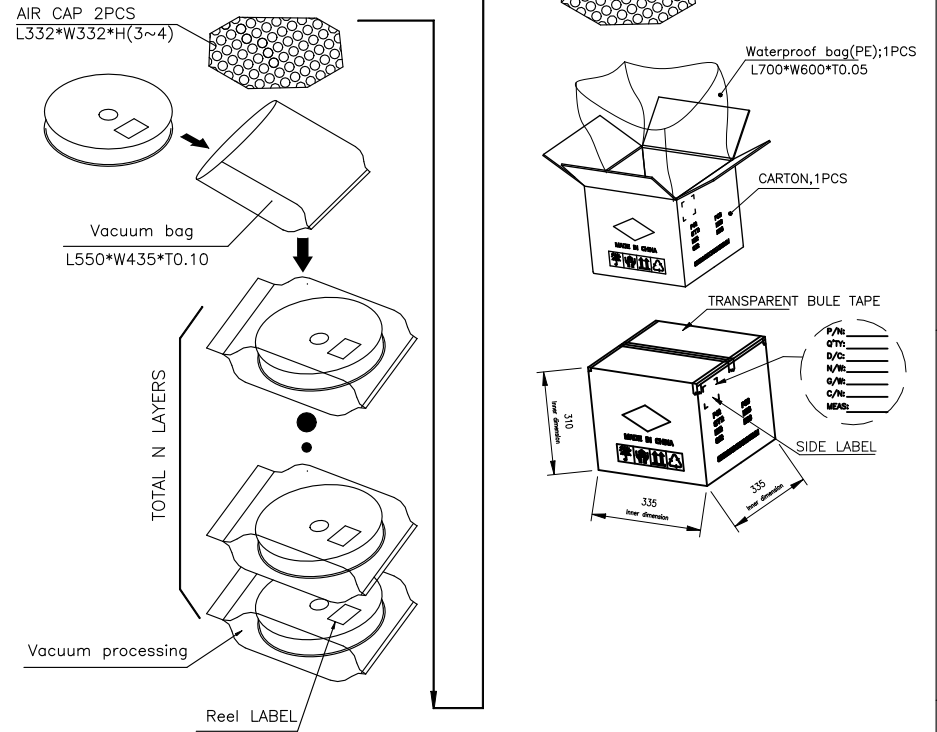
CKTS	B0±0.10	W	W1	F	N	S0±0.10
11	5.10					
13	5.70					
15	6.30	16.0±0.30	16.4	7.50±0.10	15	
17	6.90					
19	7.50					
21	8.10					
23	8.70					
25	9.30					
27	9.90					
29	10.50					
31	11.10					
33	11.70	24.0±0.30	24.4	11.5±0.10	10	
35	12.30					
37	12.90					
39	13.50					
41	14.10					
43	14.70					
45	15.30					
47	15.90					
49	16.50					
51	14.10					
53	14.70					
55	15.30	32.0±0.30	32.4	14.2±0.10	8	28.4
57	15.90					
59	16.50					
61	20.10					

Unilateral hole

**NOTES:**

- MATERIAL:
  - CARRY TAPE:HIPS,T=0.30mm,CLEAR
  - REEL:HIPS,BLUE.
  - SHIM:PE,CLEAR.
- PRIMARY PACKING:5000PCS/REEL.
- SECONDARY PACKING:"N"REELS/CARTON ("TOTAL"=N\*REEL/CARTON).
- PEELING RESISTANCE: 0.1N~0.7N(10~70gf);  
PEELING ANGLE: 165°~180°;  
PEELING SPEED: 300mm/minutes.

**2:PACKING INTO OUTER BOX**



UNLESS OTHERWISE SPECIFIED TOLERANCES			ANGLE OF PROJECTION		后芮骐 (上海) 电子有限公司 Horus Int. Electronics. Co., LTD.
X.	±0.30	X. *	± 5'		
X.X	±0.25	X.X *	± 4'		
X.XX	±0.20	X.XX *	± 3'	DOC TYP	Customer Drw
X.XXX	±0.15	X.XXX *	± 2'	DRAWN DATE	May 2022-08-31
LINEAR DIMS	ANGLES DIMS		DESIGN DATE	May 2022-08-31	TITLE: Assembly Drawing For 0.3 PITCH H1.0 FFC/FPC Front flip SMT R/A TYPE SERIES
DWG NO.:	A-S0649		CHECKED DATE	SH.Chen 2022-08-31	SIZE PART NUMBER: HRS-F13S-1 A7H 1-E8C**
FINISHED	SEE NOTES		APPROVED DATE	Rain.Han 2022-08-31	REV. A
SCALE		1:1	UNIT : mm		SHEET 2 OF 2