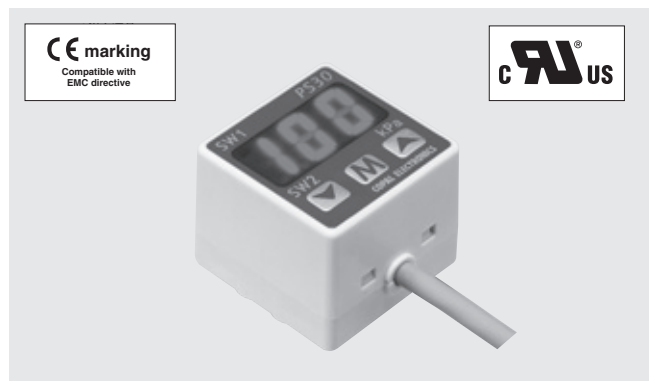


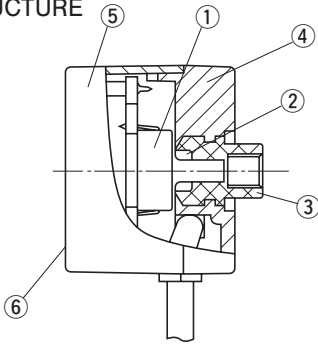
PRESSURE SWITCHES WITH GAUGE

PS30

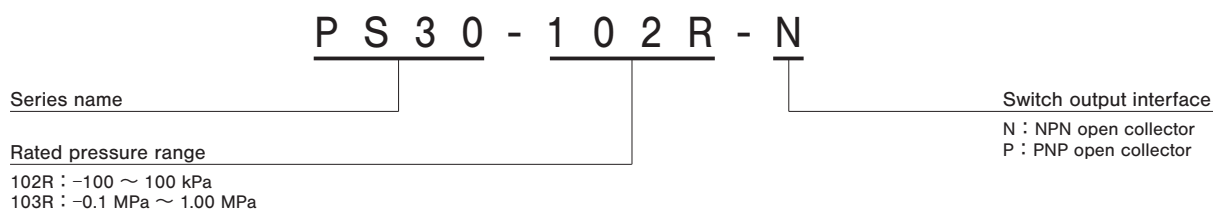


FEATURES

- Optimum for pneumatic equipment and semiconductor manufacturing equipment
- Larger size display and high luminance LED for best visibility
- Eight switch output modes
- Low consumption by nondisplay mode

INTERNAL STRUCTURE	
	
Part name	Material
① Pressure transducer	P-2000
② "O" ring	Fluoro-rubber
③ Pressure port	Brass (Ni-plated)
④ Base	ABS (Acrylonitrile-butadiene-styrene)
⑤ Housing	
⑥ Panel sheet	Polyester

MODEL NUMBER DESIGNATION



LIST OF MODEL NUMBERS

Switch output interface	Pressure reference	Gauge	
	Rated pressure range	-100 ~ 100 kPa	-100 ~ 1000 kPa
NPN		PS30-102R-N	PS30-103R-N
PNP		PS30-102R-P	PS30-103R-P

※ Please refer to the LIST OF MODEL NUMBERS when placing orders.

PS30

PRESSURE SWITCHES WITH GAUGE

STANDARD SPECIFICATIONS

● Unless otherwise specified, the specs are defined at an ambient temperature of 25 ± 5 °C and excitation voltage of 24 V DC.

Item	Model number	PS30			
		102R	103R		
General specifications	Pressure reference	Gauge			
	Rated pressure range	kPa	- 100 ~ 100	- 100 ~ 1000	
	Maximum pressure	kPa	200	1500	
	Break-down pressure	kPa	500	2000	
	Operating temp. range	°C	- 10 ~ 50		
	Compensated temp. range	°C	0 ~ 50		
	Thermal error		± 3 %F.S. (0 ~ 50 °C)		
	Operating humidity	%RH	35 ~ 85 (No condensation)		
	Storage temp.	°C	- 20 ~ 70 (Atmospheric pressure, humidity 65 %RH maximum)		
	Pressure medium		Non-corrosive gases		
	Insulation resistance	MΩminimum	100 (DC 500 V)		
	Dielectric strength		500 V AC, 60 s (Leakage current 1 mA maximum)		
	Pressure port		M5 female screw, "O" ring groove (P8)		
	Net weight	g	Approx. 60 (Including 1.5 m cable)		
Power	Supply voltage	V DC	12 ~ 24 V ± 10 % (Including ripple voltage)		
	Consumption current	mA maximum	40		
Display	Display element		LED (2 and 1/2 digit)		
	Rated display range	kPa	- 100 ~ 100	—	
		MPa	—	- 0.10 ~ 1.00	
	Display accuracy		± 1 %F.S.		
Resolution		1 count			
Switch output	No. of outputs		2		
	Output interface		Open collector output (NPN or PNP)		
	Display		Output 1 (SW1), Output 2 (SW2) Light on when output is ON.		
	Repeatability	%F.S.	± 0.3 maximum		
	Switch hysteresis		0 ~ 30 counts (Adjustable)		
	Switching capacity		30 V DC 100 mA maximum	Short-circuit protection	
	Residual voltage	V maximum	1.2 V (NPN), 2.2 V (PNP)		
	Response	ms	Approx 5, 25, 250 (Adjustable)		

ENVIRONMENTAL CHARACTERISTICS

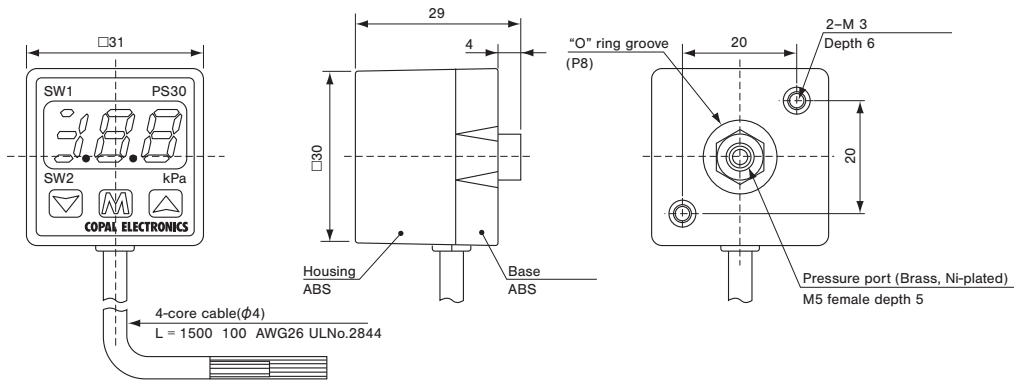
Test item	Test conditions	Permissible change
Vibration	10 ~ 500 Hz, 98.1 m/s ² or 1.5 mm P-P, 3 directions for 2 hours each	± 2 %F.S. maximum after test
Shock	490 m/s ² , 3 directions for 3 times each	
Pressure cycling	0 ~ Rated pressure, 10 ⁶ cycles	
Moisture resistance	40 °C, 90 ~ 95 %RH, 240 hrs.	
EMC	EMI : EN55011: 2007, A2 : 2007 Group 1, class B EMS : EN61326-1 : 2006 Table 2	Switch operating pressure : ± 5 %F.S., maximum during tset ※ 1

※ 1 Change in the pressure indication, switch operating points.

PS30 PRESSURE SWITCHES WITH GAUGE

OUTLINE DIMENSIONS

Unless otherwise specified, tolerance : ± 0.5 (Unit : mm)

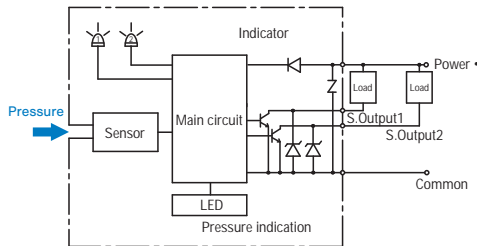


PS30

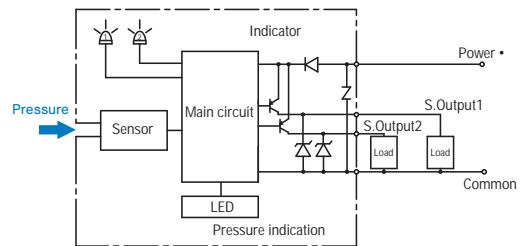
Wire color	Connection
Brown	Power ⊕
Black	Switch output 1
White	Switch output 2
Blue	Common

INTERNAL ELECTRICAL SCHEMATICS

● NPN



● PNP



SELECTION OF DISPLAY MULTIPLIER

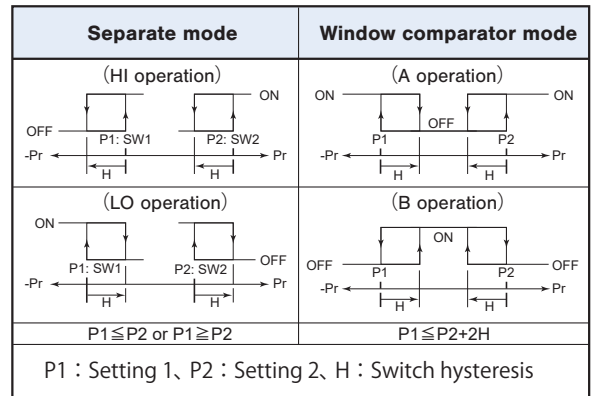
Please refer to the right list.

(Note) Diagonal column : No unit can be selected due to resolution and number of digits.

Selection number	102R		103R	
	Display multiplier	Display range	Display multiplier	Display range
0	× 1	-100 ~ 100	/	/
1	/	/	× 1	-0.10 ~ 1.00
2	× 0.75	75 ~ 75	/	/
3	× 0.01	-1.00 ~ 1.00	× 10	-1.0 ~ 10.0
4	× 0.145	-14.5 ~ 14.5	× 145	-14 ~ 145

SWITCH OUTPUT MODE

Output	SW 1				SW 2			
	Separate		Window comparator		Separate		Window comparator	
Operation	HI	LO	A	B	HI	LO	A	B
Selection number								
0	○				○			
1	○					○		
2		○			○			
3		○				○		
4			○				○	
5			○				○	
6				○				○
7				○				○
	Setting 1 Note 1		Lower limit : Setting 1 Upper limit : Setting 1 Note 2		Setting 1 Note 1		Lower limit : Setting 1 Upper limit : Setting 1 Note 2	



(Note 1) In the Separate Mode, setting 1 corresponds to SW1, and Setting 2 corresponds to SW2.

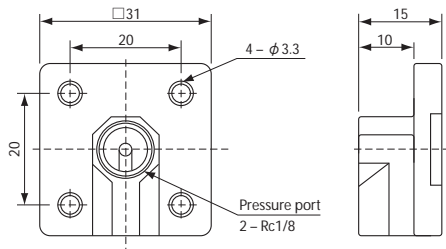
(Note 2) In the Window Comparator Mode, the minimum value for SW1 and SW2 corresponds to Setting 1 and the maximum value corresponds to Setting 2.

PS30

PRESSURE SWITCHES WITH GAUGE

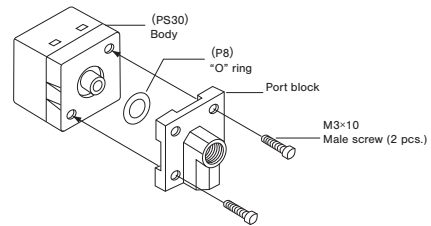
HOW TO MOUNT OPTIONAL ACCESSORIES (Sold separately)

● Port block

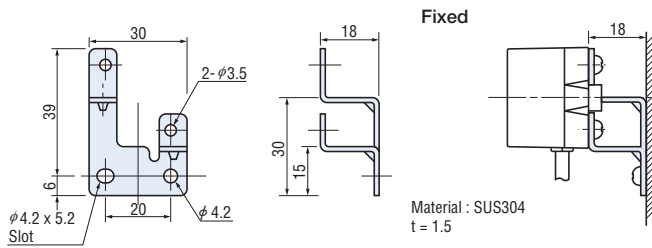


Material : Zink die-casting / nickel plate

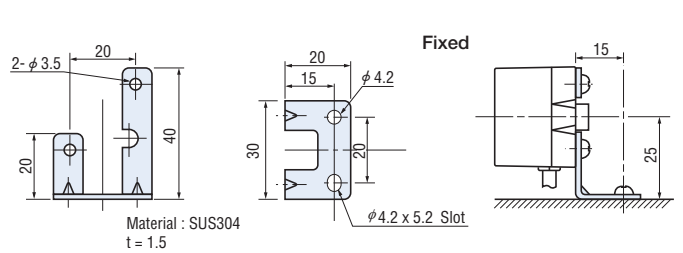
● How to mount port block



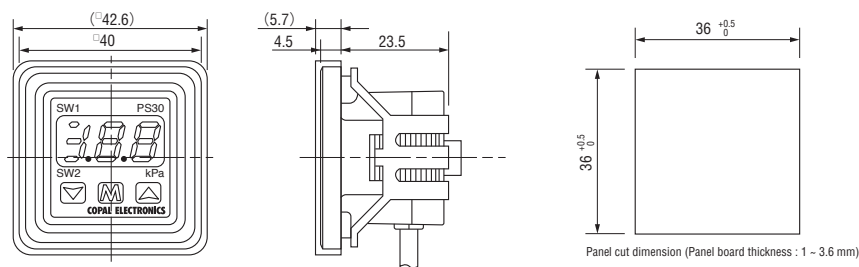
● Rear panel mounting bracket (ACPG-001)



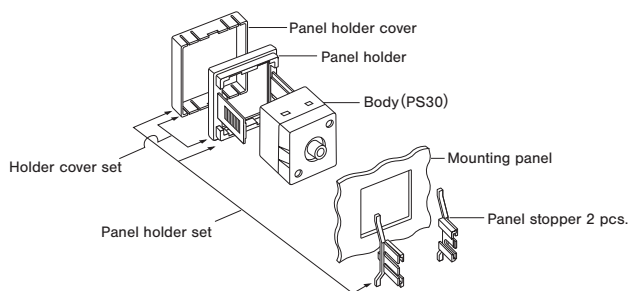
● Panel mounting bracket (ACPG-002)



● Panel mounting bracket (Option)



● How to mount panel holder cover set



Name	Description	Contents	Applicable model
ACPG-001	Rear panel bracket set	Rear panel bracket and M3 x 4 male screw (2 pcs.)	PG-30-PS30
ACPG-002	Panel bracket set	Panel bracket and M3 x 4 male screw (2 pcs.)	PG-30-PS30
ACPG-003	Holder cover set (For protecting operating panel)	Panel holder cover Panel holder Panel stopper (2 pcs.)	PG-30-PG-35 PG-75-PG-35H PG-35L-PS30
ACPG-004	Holder cover set (For protecting operating panel)	Panel holder cover Panel holder	PG-30-PG-35 PG-75-PG-35H PG-35L-PS30
ACPG-005	Port block	Port block "O" ring (P8) M3 x 10 Male screw 2 pcs. Seal screw 1 pc.	PS30
ACPG-007	holder stopper set	Panel holder Panel stopper (2pcs.)	PG-30-PG-35 PG-75-PG-35H PG-35L-PS30