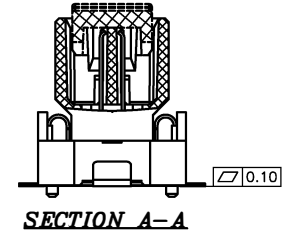
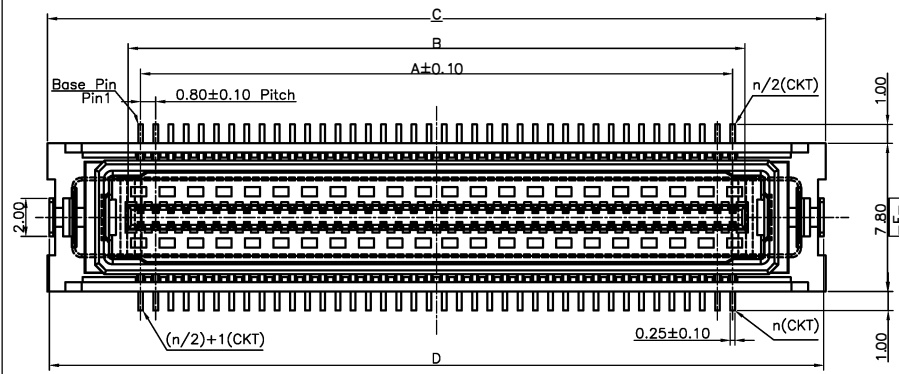
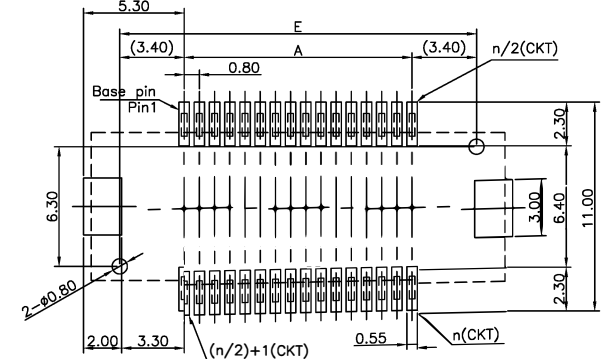
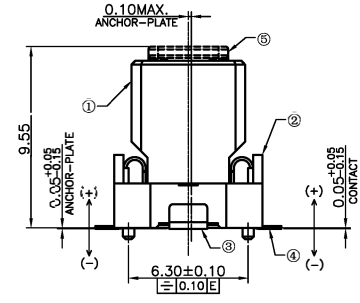
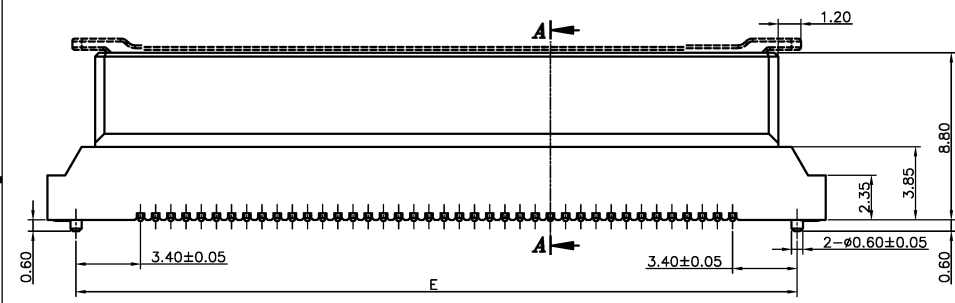


This document is the property of Horus Corporation and is delivered on the express condition that it is not to be disclosed, reproduced or used, in whole or in part, for manufacture or sale by anyone other than Horus Corporation without its prior consent, & that no right is granted to disclose or to use any information in this document.

REV.	ECR/ECN No.	DESCRIPTION	DRAWN/DATE	CHECKED/DATE	APPROVED/DATE
A	/	New Version	May 2018-03-05	Rain 2018-03-05	Xiaohong.zhu 2018-03-05



NO.	COMPONENTS	MATERIALS	SPECIFICATION:FINISH/COLOR	QTY.
1	HOUSING	GLASS FILLED LCP, UL94V-0	BLACK	1
2	HOUSING BASE	GLASS FILLED LCP, UL94V-0	BLACK	1
3	ANCHOR-PLATE	BRASS, T=0.25±0.01mm	ALL OVER 80u" MIN. MATTE TIN UNDERPLATING:40u" NICKEL MIN.	2
4	CONTACT	PHOSPHOR BRONZE, T=0.15±0.01mm	CONTACT AREA 2u" MIN. GOLD, PLATED UNDERPLATING:GOLD FLASH AND FOOT UNDERPLATING:40u" NICKEL MIN.	N
5	CAP	GLASS FILLED LCP, UL94V-0	BLACK	1

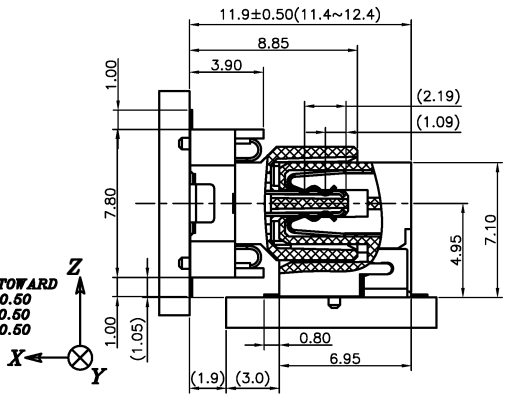
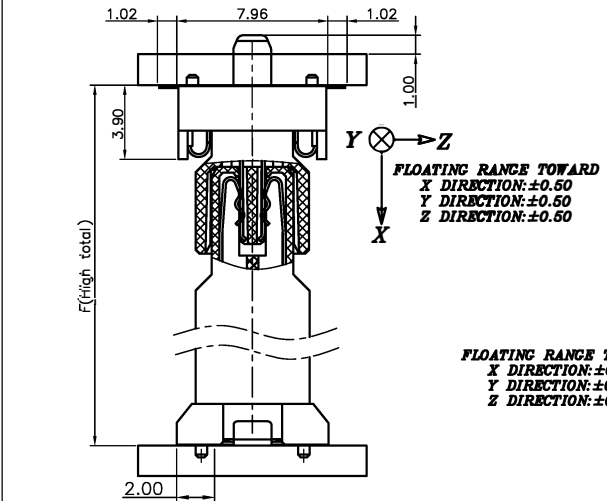


RECOMMENDED PCB SIZE
GENERAL TOLERANCE: ±0.05 (MOUNTING SIDE)

DIMENSION LIST:

NO. OF POS.	A	B	C	D	E	NO. OF POS.	A	B	C	D	E
30	11.20	12.50	21.00	20.80	18.00	80	31.20	32.50	41.00	40.80	38.00
40	15.20	16.50	25.00	24.80	22.00	90	35.20	36.50	45.00	44.80	42.00
50	19.20	20.50	29.00	28.80	26.00	100	39.20	40.50	49.00	48.80	46.00
60	23.20	24.50	33.00	32.80	30.00	110	43.20	44.50	53.00	52.80	50.00
70	27.20	28.50	37.00	36.80	34.00	120	47.20	48.50	57.00	56.80	54.00

UNLESS OTHERWISE SPECIFIED TOLERANCES		ANGLE OF PROJECTION		后芮驰(上海)电子有限公司 Horus Int. Electronics. Co., LTD.
X.	±0.50	X. *	± 1°	
X.X	±0.30	X.X *	± 0.5°	
X.XX	±0.20	X.XX *	± 0.5°	
X.XXX	±0.10	X.XXX *	± 1°	
DOC TYPE		Customer Drw		TMLE:
DRAWN DATE		May 2018-03-05		Assembly Drawing For 0.8mm Pitch Floating board to
DESIGN DATE		May 2018-03-05		to board Plug connector series
P/N: HRS-B406-1B7L1-112**-E100		CHECKED DATE		SIZE DWG NO.
MATERIAL		Rain 2018-03-05		A4 A-S0465
FINISHED		APPROVED DATE		REV. A
SEE NOTES		Xiaohong.zhu 2019-03-05		SCALE 1:1
SEE NOTES				UNIT : mm
				SHEET 1 OF 1

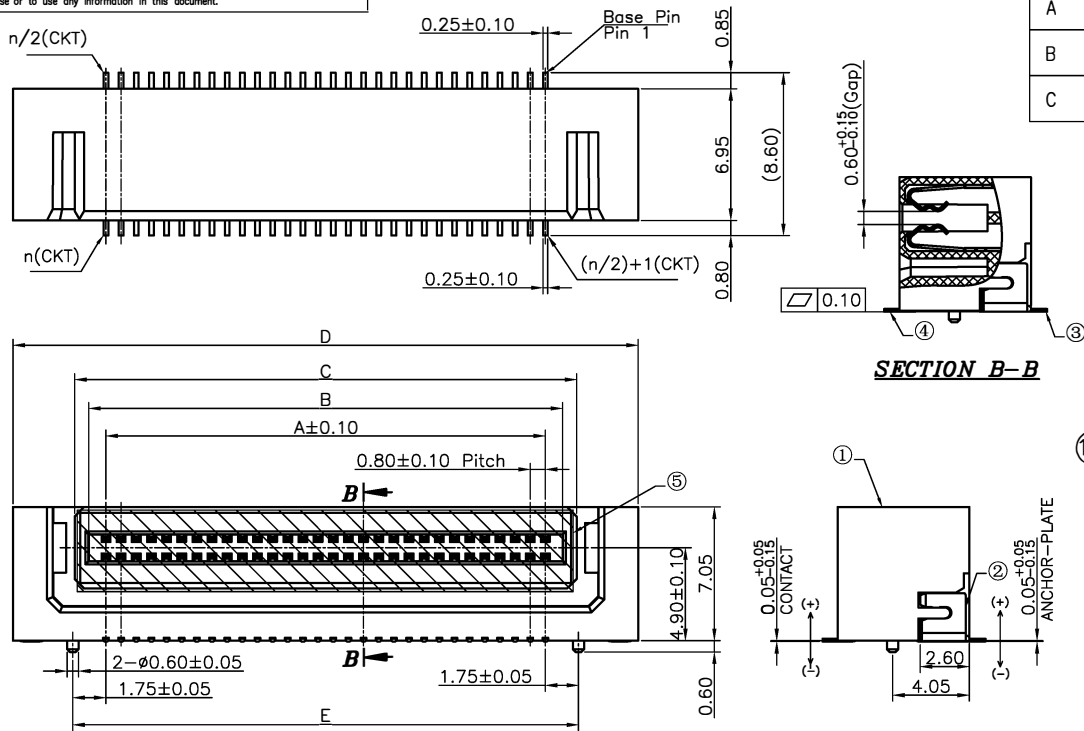


ASSEMBLY TYPE 2 DRAWING

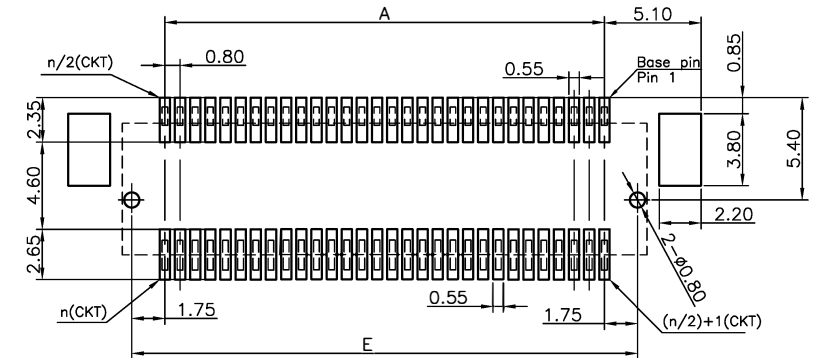
ASSEMBLY TYPE 1 DRAWING

This document is the property of Horus Corporation and is delivered on the express condition that it is not to be disclosed, reproduced or used, in whole or in part, for manufacture or sale by anyone other than Horus Corporation without its prior consent, & that no right is granted to disclose or to use any information in this document.

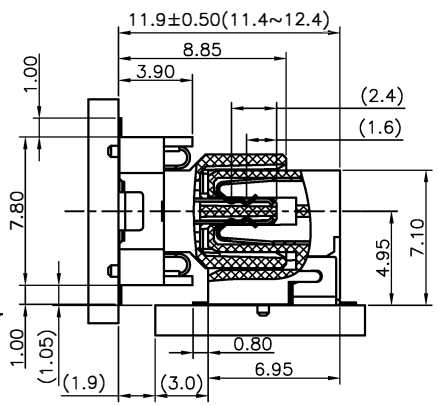
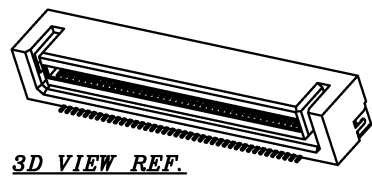
REV.	ECR/ECN No.	DESCRIPTION	DRAWN/DATE	CHECKED/DATE	APPROVED/DATE
A	/	NEW RELEASE	May 2018-03-05	Rain 2018-03-05	Xiaohong.zhu 2018-03-05
B	/	Change it to Myra	May 2018-12-18	Rain 2018-12-18	Xiaohong.zhu 2018-12-18
C	/	Update the drawing frame	May 2019-05-13	Rain 2019-05-13	hongkui.liu 2019-05-13



NO.	COMPONENTS	MATERIALS	SPECIFICATION:FINISH/COLOR	QTY.
1	HOUSING	GLASS FILLED LCP, UL94V-0	BLACK	1
2	ANCHOR-PLATE	BRASS, T=0.30±0.01mm	ALL OVER 80u" MIN. MATTE TIN UNDERPLATING:40u" NICKEL MIN.	2
3	LONG CONTACT	PHOSPHOR BRONZE, T=0.15±0.01mm	CONTACT AREA 2u" MIN. GOLD, PLATED UNDERPLATING:GOLD FLASH AND FOOT UNDERPLATING:40u" NICKEL MIN.	N
4	SHORT CONTACT	PHOSPHOR BRONZE, T=0.15±0.01mm	CONTACT AREA 2u" MIN. GOLD, PLATED UNDERPLATING:GOLD FLASH AND FOOT UNDERPLATING:40u" NICKEL MIN.	N
5	MYLAR	T=0.10mm THERMOSTABLE	YELLOW	1



RECOMMENDED PCB SIZE
GENERAL TOLERANCE:±0.05(MOUNTING SIDE)



FLOATING RANGE TOWARD
X DIRECTION:±0.50
Y DIRECTION:±0.50
Z DIRECTION:±0.50
ASSEMBLY DRAWING

DIMENSION LIST:

NO. OF POS.	A	B	C	D	E	F	G
30	11.20	13.02	14.50	21.00	14.70	9.00	24.00
40	15.20	17.02	18.50	25.00	18.70	13.00	28.00
50	19.20	21.02	22.50	29.00	22.70	17.00	32.00
60	23.20	25.02	26.50	33.00	26.70	21.00	36.00
70	27.20	29.02	30.50	37.00	30.70	25.00	40.00
80	31.20	33.02	34.50	41.00	34.70	29.00	44.00
90	35.20	37.02	38.50	45.00	38.70	33.00	48.00
100	39.20	41.02	42.50	49.00	42.70	37.00	52.00
110	43.20	45.02	46.50	53.00	46.70	41.00	56.00
120	47.20	49.02	50.50	57.00	50.70	45.00	60.00

UNLESS OTHERWISE SPECIFIED TOLERANCES		ANGLE OF PROJECTION		TITLE	
X.	±0.50	X. °	± 1'	0.8mm Pitch Floating board to board Socket connector series	
X.X	±0.30	X.X °	± 0.5'	0.8mm Pitch Floating board to board Socket connector series	
X.XX	±0.20	X.XX °	± 0.5'	0.8mm Pitch Floating board to board Socket connector series	
X.XXX	±0.10	X.XXX °	± 1'	0.8mm Pitch Floating board to board Socket connector series	
LINEAR DIMS		ANGLES DIMS		0.8mm Pitch Floating board to board Socket connector series	
P/N: HRS-B407-1B7L1-112**E100		Customer Drw		0.8mm Pitch Floating board to board Socket connector series	
MATERIAL		DATE		0.8mm Pitch Floating board to board Socket connector series	
FINISHED		DATE		0.8mm Pitch Floating board to board Socket connector series	
SEE NOTES		DATE		0.8mm Pitch Floating board to board Socket connector series	
SEE NOTES		DATE		0.8mm Pitch Floating board to board Socket connector series	

Horustech 后芮驰(上海)电子有限公司
Horus Int. Electronics. Co., LTD.

SCALE	UNIT	SHEET	OF
A4	1:1	1	1