

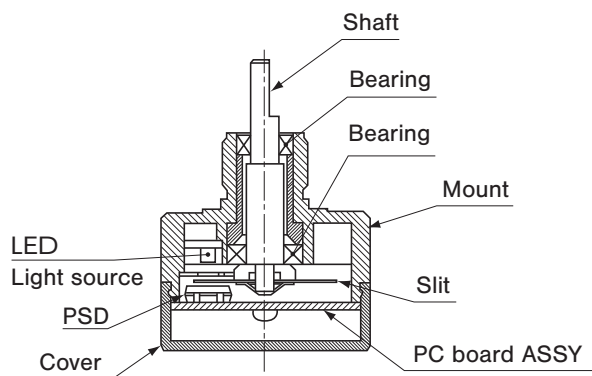
OPTICAL CONTACTLESS TYPE

JT22

RoHS compliant



Basic construction

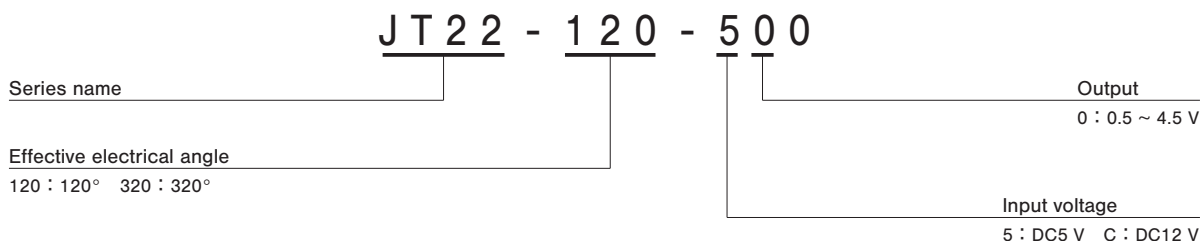


FEATURES

- Contactless configuration offers much longer life
- Low torque 0.147 mN·m {1.5 gf·cm} maximum
- Superior temperature characteristic due to temperature compensation circuit incorporated
- Wide effective electrical angle (120° • 320°)
- RoHS compliant

Optical contactless single turn type

PART NUMBER DESIGNATION



LIST OF PART NUMBERS

Effective electrical angle	Input voltage	Part number
120°	DC5 V	JT22-120-500
	DC12 V	JT22-120-C00
320°	DC5 V	JT22-320-500
	DC12 V	JT22-320-C00

※ Verify the above part numbers when placing orders.

JT22

POTENTIOMETERS

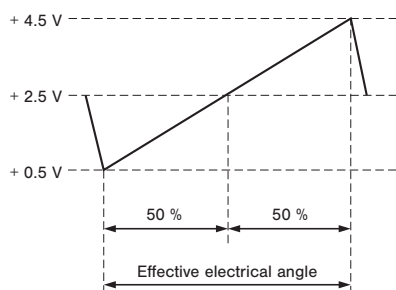
STANDARD SPECIFICATIONS

Electrical characteristics

Input voltage	DC5 V \pm 0.25 V	DC12 V \pm 0.6 V		
Dissipation	40 mA maximum			
Effective electrical angle	120°	320°	120°	320°
Output voltage	+0.5 ~ +4.5 V			
Absolute linearity ※ 1	\pm 3.0 %			
Temperature sensitivity	\pm 3.0 %FS (\pm 2.0 %FS/-30 ~ 70 °C)			
Temperature medium drift	\pm 40 mV			
Insulation resistance	100 M Ω (at DC500 V) minimum			
Dielectric strength	AC500 V (1 min)			

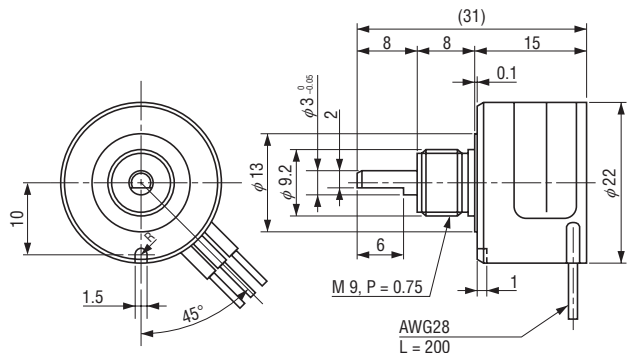
※ 1 At normal temp.

OUTPUT

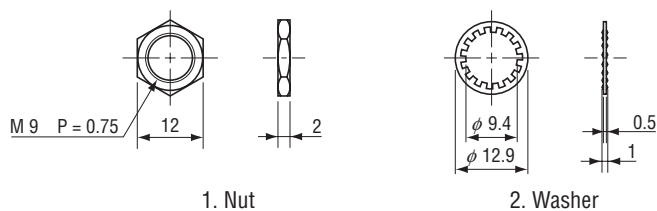


※ The output increases with CW shaft rotation.

OUTLINE DIMENSIONS



(Accessories)



(Unit: mm)

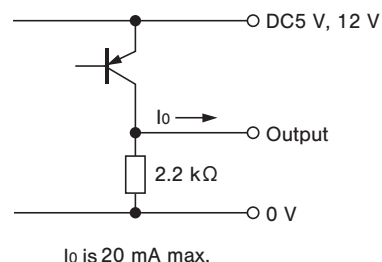
Mechanical characteristics

Starting torque	0.147 mN·m {1.5 gf·cm} maximum (at normal temp.)
Maximum rotational speed	1500 min ⁻¹
Mechanical angle	360° continuous
Rotational life	1 × 10 ⁸ revolution
Vibration	147 m/s ² {15 G} 30 ~ 200 Hz, 30 h
Shock	294.2 m/s ² {30 G} minimum
Strength of tighten screw	0.49 N·m {5 kgf·cm} maximum

Environmental characteristics

Operating temp. range	-30 ~ 80 °C
Storage temp. range	-30 ~ 85 °C
Humidity	Relative humidity 95 % maximum
Net weight	Approx. 12g
Protection grade	IP40

OUTPUT CIRCUITRY



I_o is 20 mA max.

ELECTRICAL WIRING

Red	Power ⊕
Black	Power 0 (V)
White	Output